

RIV943 HYDROPNEUMATIC TOOL FOR RIVET NUTS FROM M4 TO M12



APPLICATIONS

Automotive, mechanical industry, carpentry.



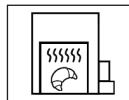
Rivsert
Cylindrical open

Tanks, airtight boxes, tubs.



Rivsert
Cylindrical blind

Mechanics of the food sector.



Rivsert
Hexagonal Half Hexagonal

Metal carpentry, mechanical industry, electronics, automotive.



Rivbolt



RIVIT.IT



FASTENERS & TOOLS

a FERVI GROUP company



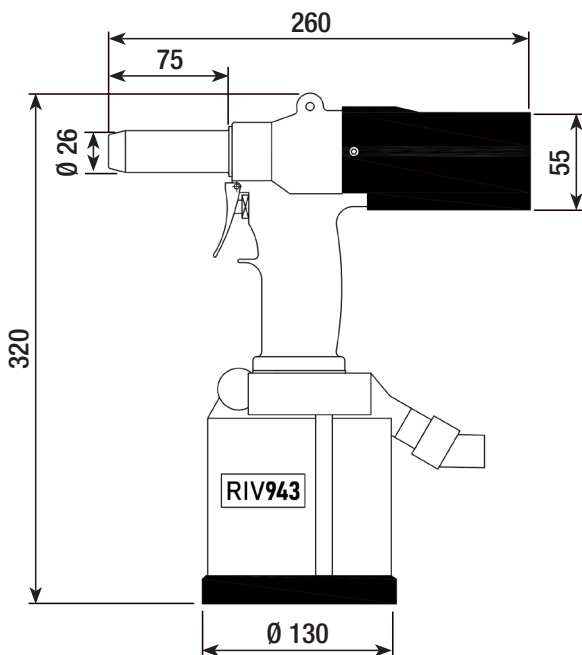
RIV943 HYDROPNEUMATIC TOOL FOR RIVET NUTS FROM M4 TO M12

Item codes

RIV943 6568800

	Kit - Metrics		Kit - Inches	
	Rivsert	Rivbolt	Rivsert	Rivbolt
M4	3441200	3442300	8-32 UNC	3755500 4361900
M5	3441300	3442400	10-24 UNC	- 4437800
M6	3441400	3442500	10-32 UNF	3755900 4362000
M8	3441500	4259400	1/4-20 UNC	3756100 4362100
M10	3441600	4601900	1/4-28 UNF	5385300 -
M12	4259200	-	5/16-18 UNC	3756300 4362200
			3/8-16 UNC	3756700 4772500
			1/2-13 UNC	6625100 -

RIV943 is supplied in a case without the frontal head kit.
Add the kit according to use by consulting the 'Codes' table.



Packaging

Practical and durable case with a wide range of equipment.

The right choice for the professional and industry.

Composed of:

- 1 hydropneumatic tool
- 1 hydraulic oil 100 cc
- 1 adjustment pin
- 1 adjustment key 3 mm
- 1 universal key
- 1 ring for balancer



Technical features

	M4 - M12
For rivet nuts	
Operating air pressure	6.0 bar
Min-max air pressure	5/7 bar
Air consumption per cycle at 6 bar	7.5 litres
Max. stroke	10.0 mm
Max. force	32.000 N
Motor speed (screwing cycle)	2200 rpm at 6.0 bar
Motor speed (unscrewing cycle)	2600 rpm at 6.0 bar
Weight	3.1 kg
Vibrations	< 2.5 m/s ²
Noise level	< 90 dB (A)

Product pluses

The hydro-pneumatic RIV943 tool, is designed to place the following fasteners:

- **RIVSERT female rivet nuts from M4 to M12**
- **RIVBOLT male rivet nuts from M4 to M10**

Compact and ergonomic in use.

One phase tool, adjustable on both force and stroke.
Ideal for industrial applications on a wide range of rivet nuts.

The RIV943 combines in one tool the functionality usually provided by machines with a hydro-pneumatic box and separate handle. To the benefit of space and versatility.

Application



RIVIT.IT



**FASTENERS
& TOOLS**

a FERVI GROUP company

