

RIV930 HYDROPNEUMATIC TOOL FOR RIVET NUTS FROM M3 TO M12



APPLICATIONS

Automotive, mechanical industry, carpentry.



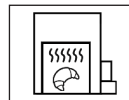
Rivsert
Cylindrical open

Tanks, airtight boxes, tubs.



Rivsert
Cylindrical blind

Mechanics of the food sector.



Rivsert
Hexagonal Half Hexagonal

Metal carpentry, mechanical industry, electronics, automotive.



Rivbolt



RIVIT.IT



FASTENERS & TOOLS

a FERVI GROUP company



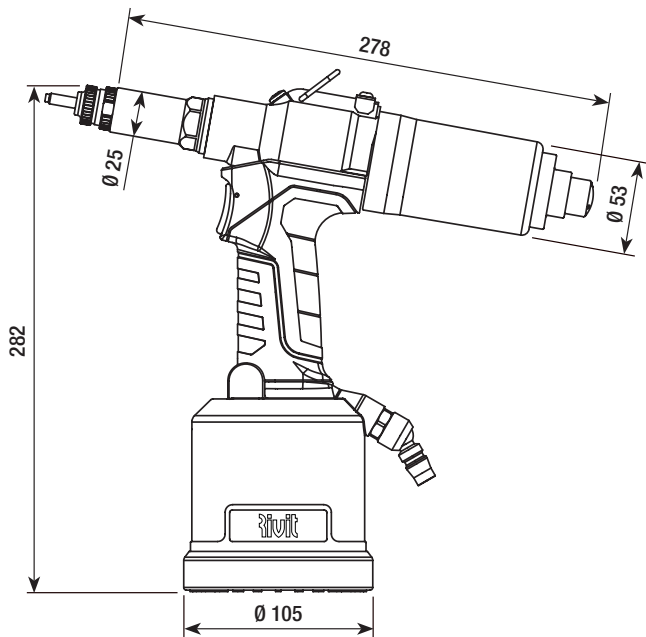
RIV930 HYDROPNEUMATIC TOOL FOR RIVET NUTS FROM M3 TO M12

Item codes

RIV930

6653600

	Kit - Metrics		Kit - Inches		
	Rivsert	Rivbolt	Rivsert	Rivbolt	
M3	6360900	-	4-40 UNC	6594300	-
M4	6361000	6637000	6-32 UNC	6594500	-
M5	6361100	6637100	5/32-32 BSW	6594400	-
M6	6361200	6637200	8-32 UNC	6594600	-
M8	6361300	6637300	10-24 UNC	6594700	-
M10	6361400	-	10-32 UNF	6594800	-
M12	6361500	-	1/4-20 UNC	6594900	-
			5/16-18 UNC	6595000	-
			3/8-16 UNC	6595100	-
			1/2-13 UNC	6595200	-



Packaging

New cardboard packaging that is lightweight, easy-to-handle, versatile and environmentally friendly.

The right choice for every need, from the professional to the do-it-yourself.



Composed of:

- 1 hydropneumatic tool w/kit M6 mounted
- 1 kit M3, M4, M5, M8, M10, M12
- 1 wrench 12-17-22-23.5-26
- 1 ring for balancer
- 1 oil syringe



Technical features

For rivet nuts

M3 - M12

Operating air pressure	6.0 bar
Min-max air pressure	5/7 bar
Max. stroke	8 mm
Pull force (6 bar)	30600 N
Motor speed (screwing cycle)	3500 rpm
Motor speed (unscrewing cycle)	3200 rpm
Weight (without kit)	1.9 kg
Noise level	< 75 dB (A)

Product plus

The hydro-pneumatic RIV930 tool, is designed to place the following fasteners:

- **RIVSERT female rivet nuts from M3 to M12**
- **RIVBOLT male rivet nuts from M4 to M8**

More robust and complete, it has greater power, allowing you to install rivet nuts up to M12.

Significant optimizations on the air motor to increase the rivet nut screwing and unscrewing speed.

Tool with stroke adjustment for more stable and repetitive applications.

Practicality combined with excellent ergonomics make it absolutely attractive to all customers who use it continuously and professionally.

Application



RIVIT.IT



**FASTENERS
& TOOLS**

a FERVI GROUP company

