

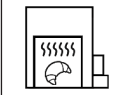



# RIV920 HYDROPNEUMATIC TOOL FOR RIVET NUTS FROM M3 TO M8



## APPLICATIONS

<p><b>Automotive, mechanical industry, carpentry.</b></p>  <p><b>Rivsert</b> Cylindrical open</p>	<p><b>Tanks, airtight boxes, tubs.</b></p>  <p><b>Rivsert</b> Cylindrical blind</p>	<p><b>Mechanics of the food sector.</b></p>  <p><b>Rivsert</b> Hexagonal Half Hexagonal</p>	<p><b>Metal carpentry, mechanical industry, electronics, automotive.</b></p>  <p><b>Rivbolt</b></p>
--	--	--	--



**FASTENERS & TOOLS**

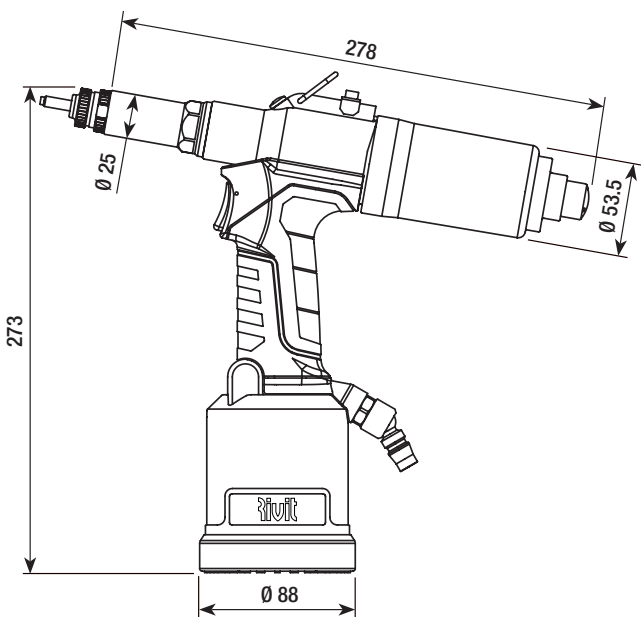
a FERVI GROUP company



# RIV920 HYDROPNEUMATIC TOOL FOR RIVET NUTS FROM M3 TO M8

## Item codes

RIV920		6653500	
Kit - Metrics		Kit - Inches	
Rivsert	Rivbolt	Rivsert	Rivbolt
<b>M3</b>	6360900 -	<b>4-40 UNC</b>	6594300 -
<b>M4</b>	6361000 6637000	<b>6-32 UNC</b>	6594500 -
<b>M5</b>	6361100 6637100	<b>5/32-32 BSW</b>	6594400 -
<b>M6</b>	6361200 6637200	<b>8-32 UNC</b>	6594600 -
<b>M8</b>	6361300 6637300	<b>10-24 UNC</b>	6594700 -
		<b>10-32 UNF</b>	6594800 -
		<b>1/4-20 UNC</b>	6594900 -
		<b>5/16-18 UNC</b>	6595000 -



## Technical features

For rivet nuts	M3 - M8
Operating air pressure	6.0 bar
Min-max air pressure	5/7 bar
Max. stroke	8 mm
<b>Pull force (6 bar)</b>	<b>20700 N</b>
Motor speed (screwing cycle)	3500 rpm
Motor speed (unscrewing cycle)	3200 rpm
Weight (without kit)	1.6 kg
Noise level	< 75 dB (A)

## Product plus

The hydro-pneumatic RIV920 tool, is designed to place the following fasteners:

- **RIVSERT female rivet nuts from M3 to M8**
- **RIVBOLT male rivet nuts from M4 to M8**

Compact dimensions and excellent ergonomics, thanks to a weight of only 1.6 kg.

Significant optimizations on the air motor to increase the rivet nut screwing and unscrewing speed.

Tool with stroke adjustment for more stable and repetitive applications.

**Practicality combined with excellent ergonomics make it absolutely attractive to all customers who use it continuously and professionally.**

## Packaging

New cardboard packaging that is lightweight, easy-to-handle, versatile and environmentally friendly. **The right choice for every need, from the professional to the do-it-yourself.**



## Composed of:

- 1 hydropneumatic tool w/kit M6 mounted
- 1 kit M3, M4, M5, M8
- 1 wrench 12-17-22-23.5-26
- 1 ring for balancer
- 1 oil syringe



## Application



RIVIT.IT



**FASTENERS & TOOLS**

a FERVI GROUP company

